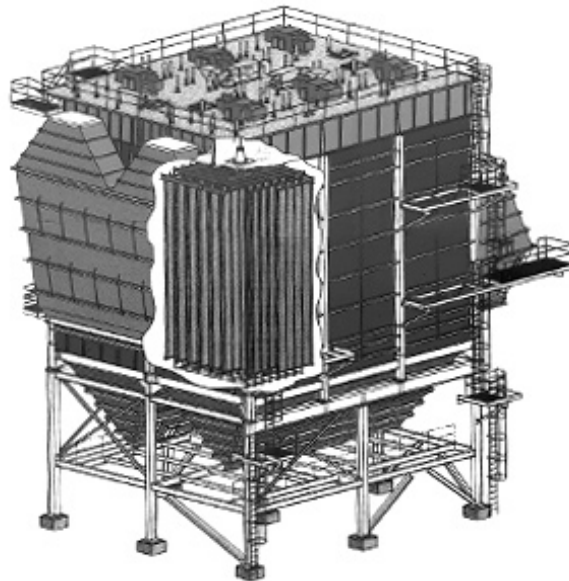


ELECTROSTATIC PRECIPITATORS (ESP'S)



ABGG Technologies Inc. in partnership with *Southern Environmental Inc. (SEI)*, is able to supply, repair, rebuild, upgrade, and improve the performance of all makes and models of precipitators.

SEI has its own 150,000 square foot fabrication, engineering, and testing facilities, as well as field erection crews and engineers. They fabricate and install parts for every make and model of precipitator. Their experience gives them special knowledge of what components make a precipitator operate most efficiently over the longest period of time with a minimum of downtime for repairs or maintenance.

